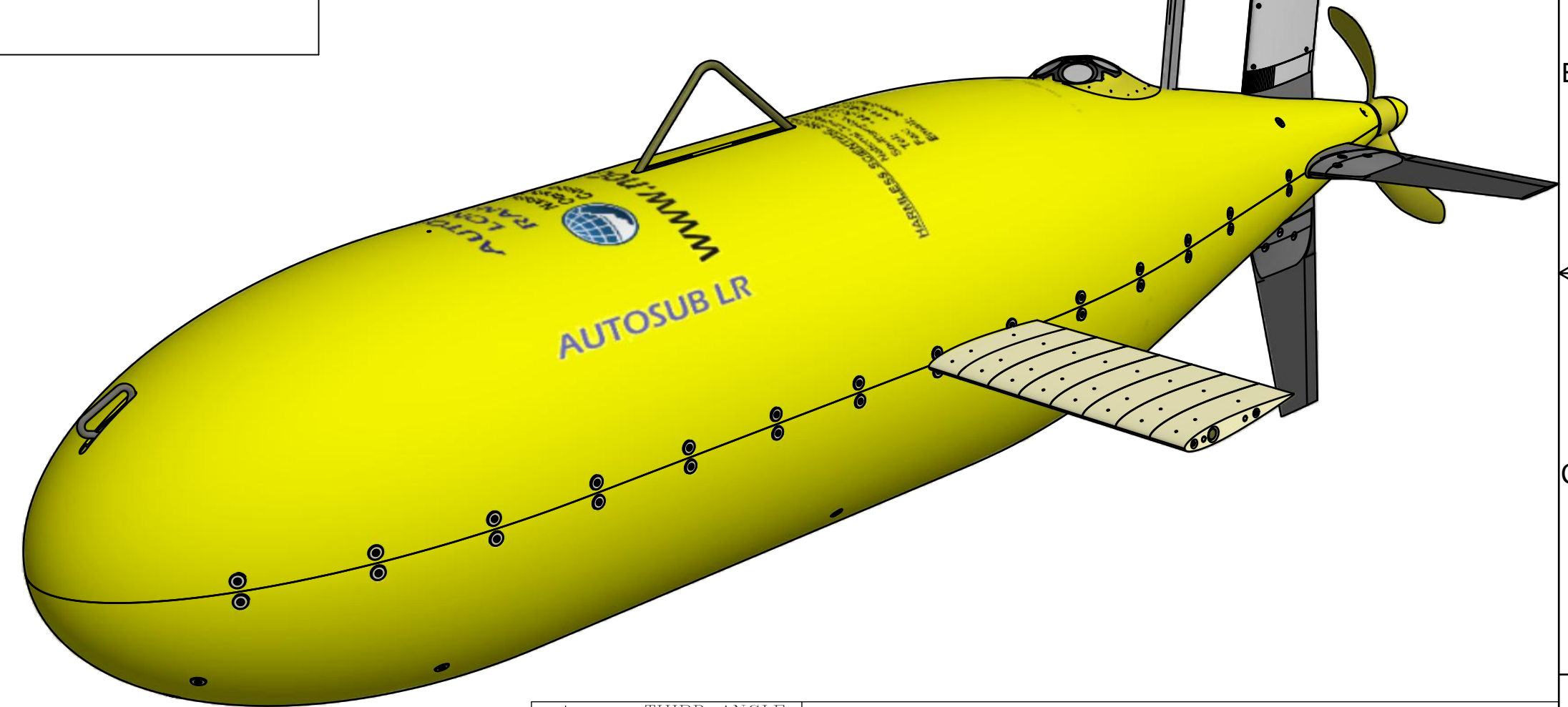
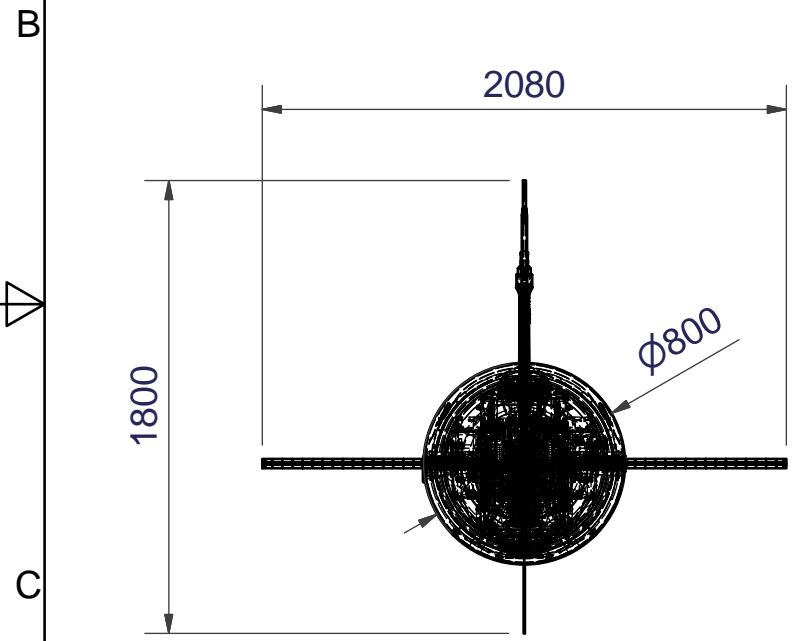
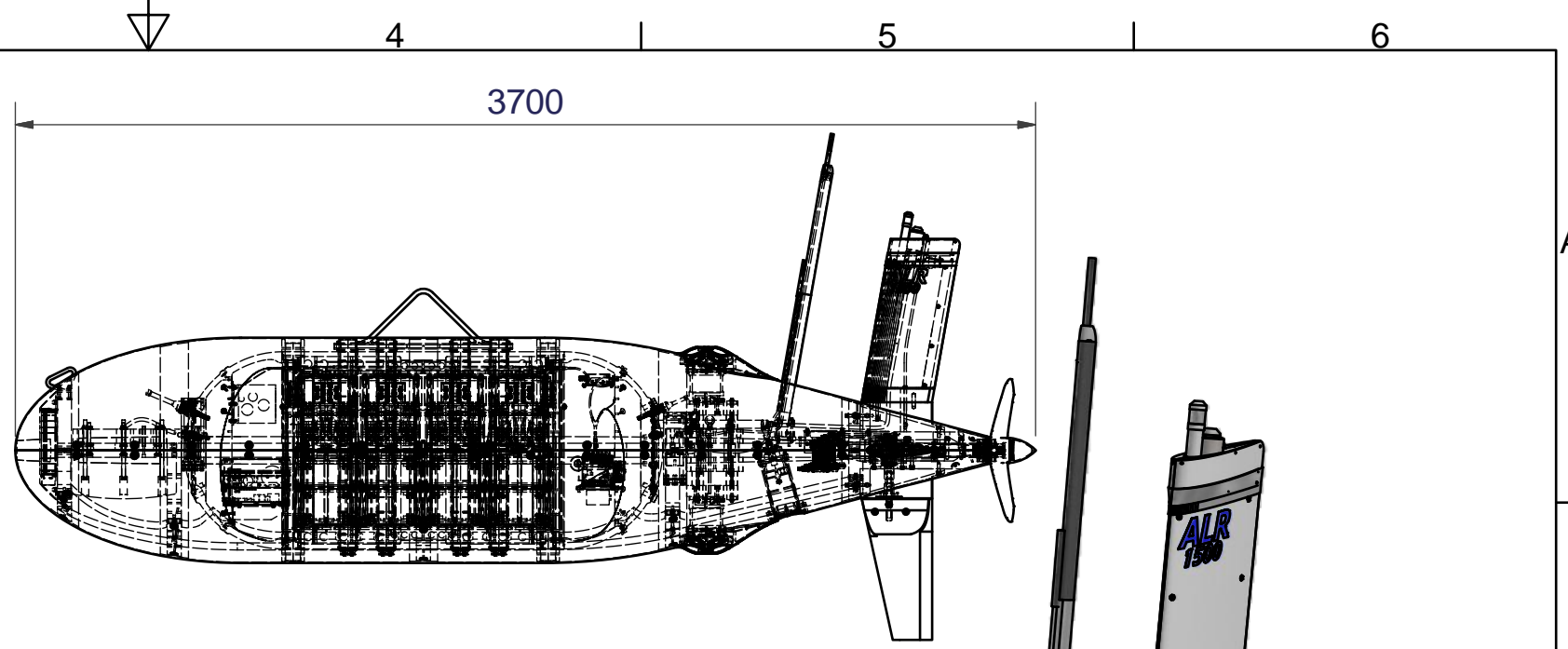



ALR-1500	
Depth Rating	1500 m
Endurance	3 months. 5500 km (@ 0.6m/s with 4.5w science payload)
Speed	0.5 - 1 m/s
Propulsion	15 - 60 w. Magnetically coupled Propeller.
Navigation Sensors	SBE 52MP CTD. Nortek 500kHz ADCP (Up & Down). PNI TCM XB Compass. u-blox EVK-M8 GPS.
Standard Communication	Iridium SBD. WiFi.
Surface Buoyancy	25 N.
Mass	~780 kg dry, 1200 kg flooded.
Battery Technology	Lithium Thionyl Chloride.
Emergency Relocation	Xeos Iridium Beacon. Xeos Flasher.



Logistics		CHKD	EST. MASS	THIRD ANGLE PROJECTION REMOVE ALL BURRS AND SHARP EDGES UNLESS STATED	Drawing produced on Inventor							
Launch & Recovery		DATE	780 kg		DO NOT SCALE	 <b>National Oceanography Centre</b>	<b>MARS</b> (Assembly)					
Transport	Shore Launched, or Ship Launched - Single point lift, normally using ships standard equipment.	DES	R.Templeton	SCALE				TITLE				
		DATE	18/08/2017	1 : 30	<b>AUTOSUB LONG RANGE</b> <b>ALR-1500</b>							
	1x 20' ISO Container.	DRN	R.Templeton	DIMS IN mm	NO OFF PER UNIT	3	DRAWING NUMBER	A6700-00-000	SHT OF	1 / 1	ISS	A